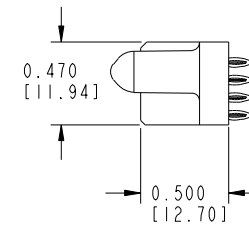
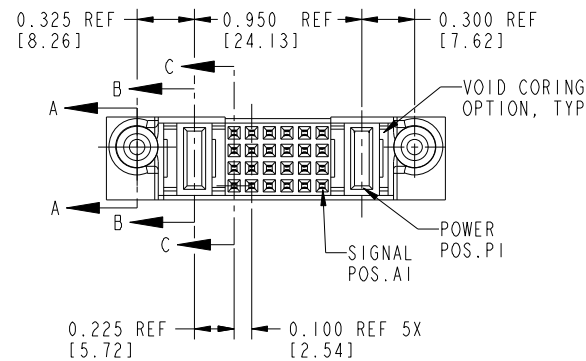
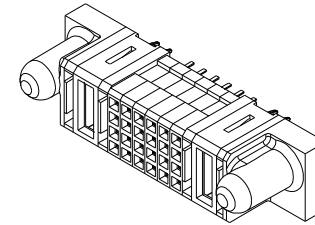
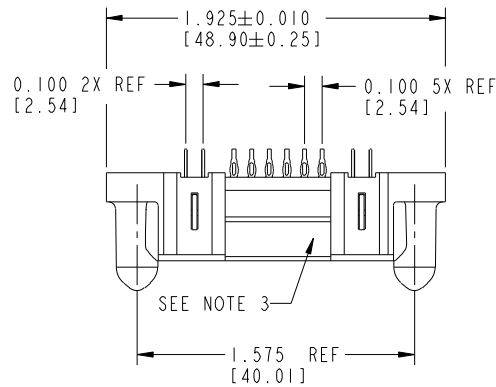


Tous droits strictement reserves. Reproduction ou communication a des tiers interdite sous quelque forme que ce soit sans autorisation ecrite du proprietaire. Propriete de c FCI. Droits de reproduction FCI.



All rights strictly reserved. Reproduction or issue to third parties in any form whatever is not permitted without written authority from the proprietor. Property of FCI. Copyright FCI.

PRODUCT NUMBER  
51666-001--  
Note: ②



mat'l code				NOTE 1		tolerances unless otherwise specified		CUSTOMER		FCI	
ltr	ecn no.	dr	date	linear	.XX±.01/0.X±0.3	projection	COPY	www.fciconnect.com		title	
A	V91433	CHB	06-29-99	angles	.XXX±.005/0.XX±0.13	INCH/MM	projection	IP + 24S + IP		VERTICAL PRESSFIT RECEPTACLE	
B	V00795	EKK	03-27-00		.XXXX±.0020/.XXX±.051	scale	1:1	product family		code	
C	V01861	EKK	06-26-00		0°±2°	A	1:1	PWRBLADE		213	
D	DG05-0171	GuoJM	06/19/05	dr	C. BAROT 06-29-99	size		dwg no		sheet	
E	DG05-0390	GuoJM	10/14/05	enrg	J. BROWN 06-29-99	51666		1 of 4			
F	DG07-0193	JMG	05/11/07	chr	J. BROWN 06-29-99						
				appd	J. BROWN 06-29-99						
sheet index	revision sheet	F 1	F 2	F 3	F 4						

cage code 22526

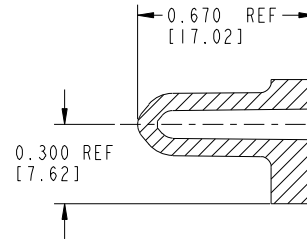
Pro/E

Tous droits strictement reserves. Reproduction ou communication a des tiers interdite sous quelque forme que ce soit sans autorisation écrite du propriétaire. Propriete de c FCI. Droits de reproduction FCI.

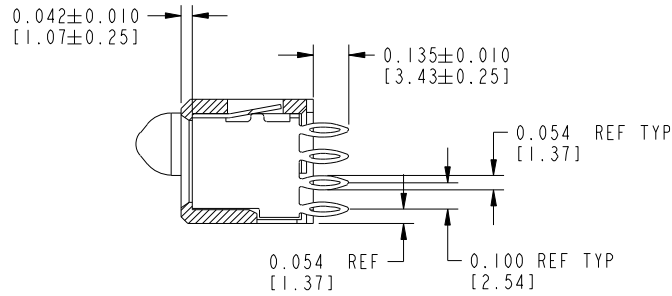


All rights strictly reserved. Reproduction or issue to third parties in any form whatever is not permitted without written authority from the proprietor. Property of FCI. Copyright FCI.

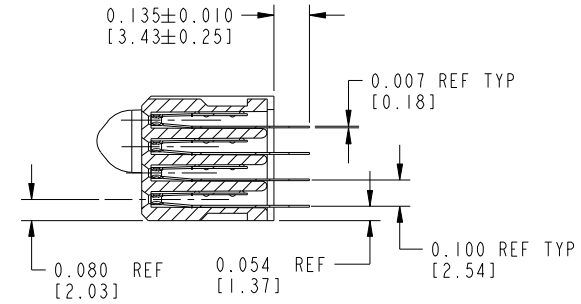
PRODUCT NUMBER  
51666-001--  
NOTE: (2)



SECTION A-A  
SCALE 3:2



SECTION B-B



SECTION C-C  
SCALE 3:2

mat'l code				tolerances unless otherwise specified		CUSTOMER		 www.fciconnect.com	
ltr	ecn no.	dr	date	linear	.XX±.01/0.X±0.3	COPY		title	
F					.XXX±.005/0.XX±0.13	projection		IP + 24S + IP	
				angles	.XXX±.0020/.XXX±.051			VERTICAL PRESSFIT RECEPTACLE	
					0°±2°	INCH/MM		product family	
				dr	C. BAROT 06-29-99	scale		PWRBLADE	
				enr	J. BROWN 06-29-99	3:2		code	
				chr	J. BROWN 06-29-99	A		213	
				appd	J. BROWN 06-29-99	size		dwg no	
sheet index		revision sheet				51666		2	
						cage code		22526	

Pro/E

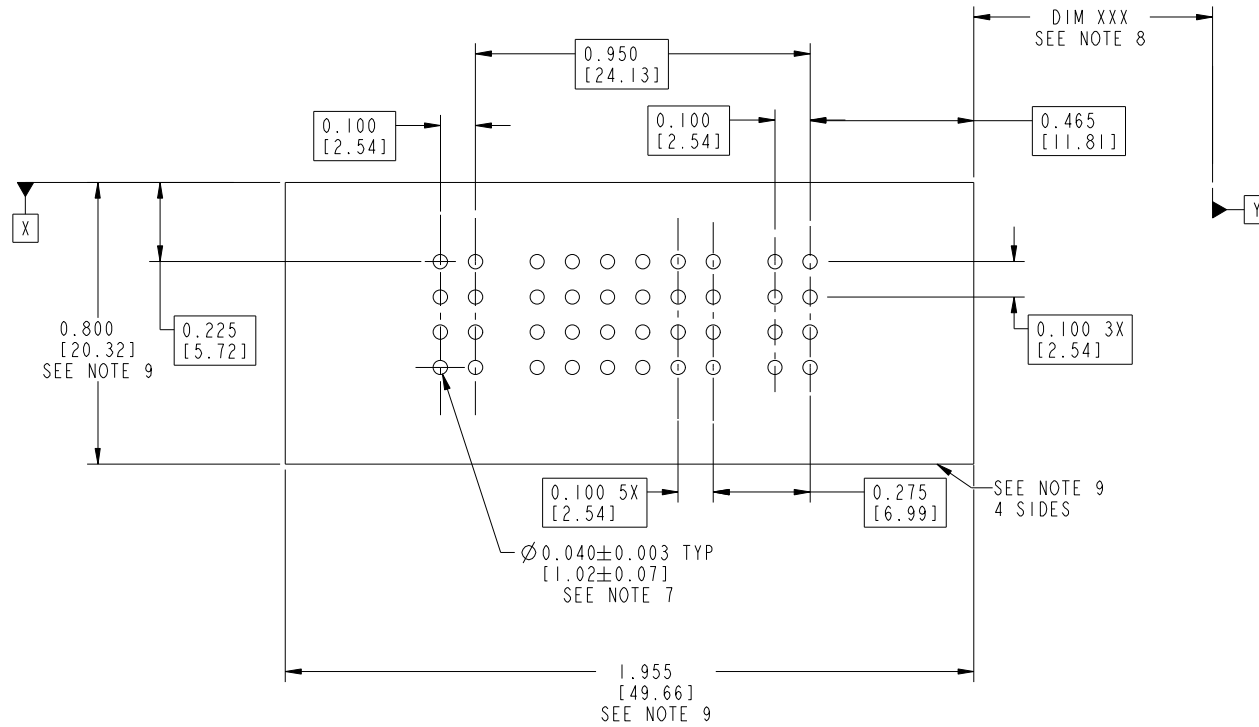
cage code 22526

Tous droits strictement reserves. Reproduction ou communication a des tiers interdite sous quelque forme que ce soit sans autorisation ecrite du proprietaire. Propriete de c FCI. Droits de reproduction FCI.



All rights strictly reserved. Reproduction or issue to third parties in any form whatever is not permitted without written authority from the proprietor. Property of FCI. Copyright FCI.

PRODUCT NUMBER  
51666-001--  
NOTE: (2)



RECOMMENDED PCB LAYOUT

mat'l code		-		tolerances unless otherwise specified		CUSTOMER				www.fciconnect.com	
lfr	ecn no.	dr	date	linear	.XX±.01/0.XX±0.3	COPY		projection		title	
F					.XXX±.005/0.XX±0.13					IP + 24S + IP	
				angles	.XXX±.0020/.XXX±.051					VERTICAL PRESSFIT RECEPTACLE	
				dr	0°±2°			INCH/MM		product family	
				enr	C. BAROT 06-29-99			scale		PWRBLADE	
				chr	J. BROWN 06-29-99			2:1		code	
				appd	J. BROWN 06-29-99			A		213	
sheet index		revision sheet						size		dwg no	
								51666		3	
										sheet	
										3	

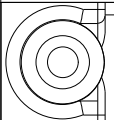
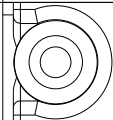
form no. 7530-001-103

Pro/E

cage code 22526

Tous droits strictement reserves. Reproduction ou communication a des tiers interdite sous quelque forme que ce soit sans autorisation écrite du propriétaire. Propriete de c FCI. Droits de reproduction FCI.

All rights strictly reserved. Reproduction or issue to third parties in any form whatever is not permitted without written authority from the proprietor. Property of FCI. Copyright FCI.


PRODUCT No.	ROWS	E2	POWER	SIGNAL						POWER	E1	ITEM NO.	QTY	CONTACT TYPE
			P2	6	5	4	3	2	1	P1				
51666-001 NOTE: (2)	D		PC	F	F	F	F	F	F	PC		F	24	SIGNAL
	C	F		F	F	F	F	F	F		PC	2	POWER	
	B			F	F	F	F	F	F					
	A			F	F	F	F	F	F					

CONNECTOR NOTES:

- HOUSING MATERIAL: GLASS FILLED HIGH TEMP THERMOPLASTIC  
FLAME RETARDANT PER UL94 V-0  
SIGNAL CONTACT MATERIAL: COPPER ALLOY  
POWER CONTACT MATERIAL: COPPER ALLOY
- 51666-001;51666-001LF PLATING SPEC. SEE PRINT:10064183
- MANUFACTURER NAME, P/N, AND DATE CODE TO APPEAR ON THIS SURFACE.

PCB NOTES:

- ALL DIMENSIONS ARE BASIC UNLESS OTHERWISE SPECIFIED
- ALL THROUGH HOLES ARE LOCATED WITH A TRUE POSITION OF 0.004"
- ALL DIAMETERS ARE FINISHED HOLE SIZES
- $\varnothing .0453 \pm .0010 [1.151 \pm 0.025]$  DRILLED HOLES, PLATED WITH  $.0003 [0.008]$  MIN. SnPb OR Sn OVER  $.001 [0.03]$  TO  $.003 [0.08]$  Cu PLATING TO ACHIEVE A  $\varnothing .040 \pm .003 [1.02 \pm 0.07]$  HOLE.
- "DIM XXX" TO BE DETERMINED BY THE CUSTOMER.
- MECHANICAL CONNECTOR STAY-AWAY ZONE.

mat'l code				tolerances unless otherwise specified		CUSTOMER			
ltr	ecr no.	dr	date	linear	projection	COPY		www.fciconnect.com	
F				$.XX \pm .01 / 0.X \pm 0.3$	$.XXX \pm .005 / 0.XX \pm 0.13$	title		IP + 24S + IP	
				$.XXX \pm .0020 / .XXX \pm .051$	$0^\circ \pm 2^\circ$	VERTICAL PRESSFIT RECEPTACLE		product family PWRBLADE code 213	
				dr C. BAROT 06-29-99	INCH/MM	size		dwg no 51666 sheet 4	
				enr J. BROWN 06-29-99	scale 2:1	A		cage code 22526	
				chr J. BROWN 06-29-99					
				appd J. BROWN 06-29-99					
sheet index	revision sheet								